

## Features

- Two-piece design
- Elongated bowl offers added room and comfort
- Comfort Height® feature offers chair-height seating that makes sitting down and standing up easier for most adults
- 1.28 gpf (4.8 lpf)
- Right-hand Polished Chrome trip lever
- 2-1/8" (54 mm) glazed trapway
- Revolution 360® flushing technology generates a forceful swirling motion to keep the bowl clean longer
- Fully skirted trapway simplifies cleaning
- Sanitary guard where bowl and tank meet for ease of cleaning
- Patented ReadyLock® installation system, a simple solution for skirted toilets, saves time, hassle, and eliminates the need to drill into the floor for standard 12" (305 mm) rough-in
- AquaPiston® canister optimizes the flow out of the tank, harnessing gravity and the natural powerful reducing cascade of water to increase the power and effectiveness of the flush

## Installation

- Standard 12" (305 mm) rough-in
- 10" and 14" (254 mm and 356 mm) rough-in kits also available
- Seat and supply line sold separately

## Recommended Products/Accessories

- K-5381 14" Rough-in Full Skirt Trap and Attachment System
- K-5383 10" Rough-in Full Skirt Trap and Attachment System
- K-28821 PureWash® E930 Elongated bidet toilet seat with remote control
- K-28122-R Right-hand trip lever
- K-26801 Impro® ReadyLatch® Quiet-Close™ elongated toilet seat
- K-30780 Carbyne® Quiet-Close™ elongated toilet seat

## Included Components

- K-28121 Elongated toilet bowl with skirted trapway
- K-28141-RA Toilet tank, 1.28 gpf



|     |          |     |
|-----|----------|-----|
| ADA | CSA B651 | OBC |
|-----|----------|-----|

## Codes/Standards

ASME A112.19.2/CSA B45.1  
DOE - Energy Policy Act 1992  
EPA WaterSense®  
California Energy Commission (CEC)  
ADA  
ICC/ANSI A117.1  
CSA B651  
OBC  
IAPMO Certification

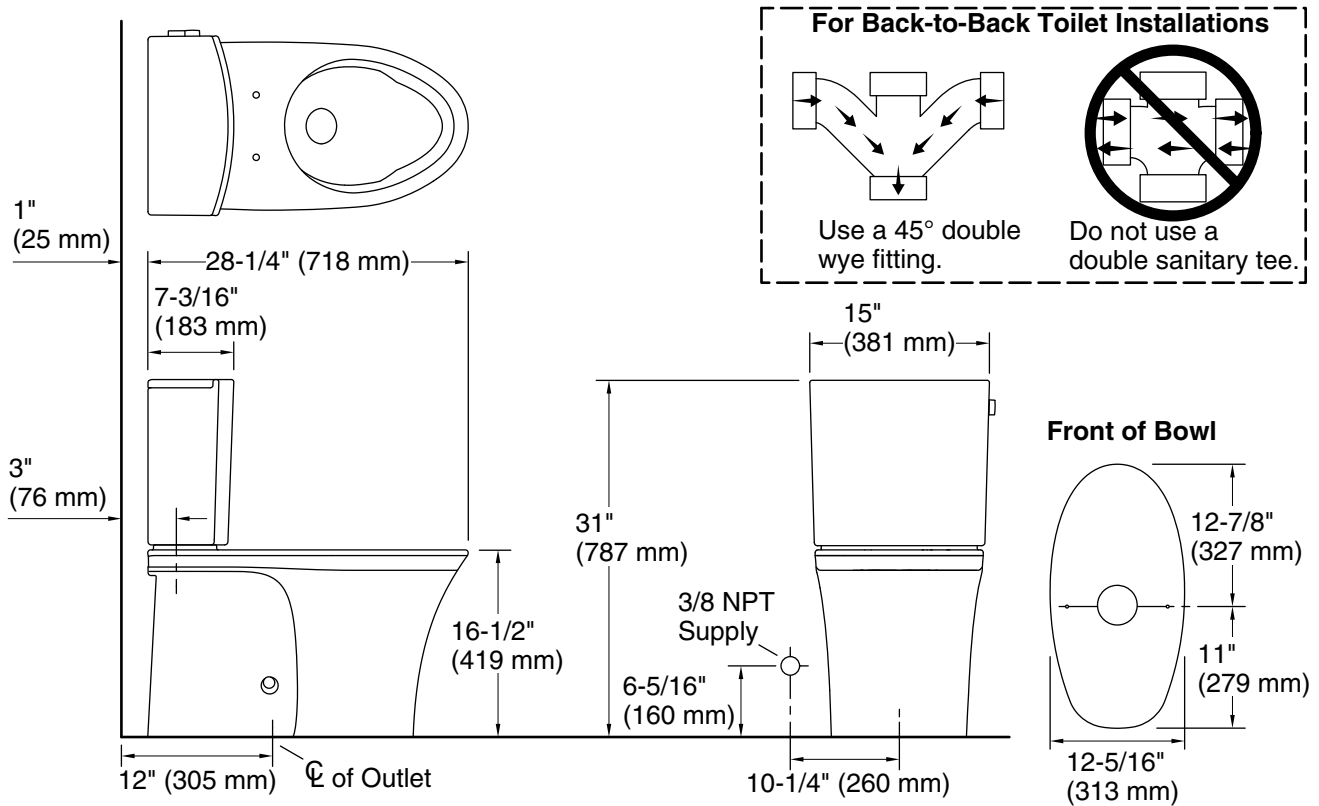
## KOHLER® Toilets and Seats Limited Warranty

See website for detailed warranty information.

## Available Colors/Finishes

*Color tiles intended for reference only.*

| Color   | Code | Description |
|---|------|-------------|
|  | 0    | White       |



## Technical Information

All product dimensions are nominal.

|                       |                            |
|-----------------------|----------------------------|
| Toilet type:          | Floor-mount                |
| Waste Outlet:         | Floor                      |
| Bowl shape:           | Elongated                  |
| Flush type:           | AquaPiston                 |
| Trap passageway:      | 2" (51 mm)                 |
| Water surface size:   | 10" x 8" (254 mm x 203 mm) |
| Rim to water surface: | 6-5/8" (168 mm)            |
| Rough-in:             | 12" (305 mm)               |
| Seat-mounting holes:  | 5-1/2" (140 mm)            |

## Notes

Install this product according to the installation instructions.

For back-to-back toilet installations: Use only a 45° double wye fitting.

ADA, OBC, CSA B651 compliant when installed to the specific requirements of these regulations.

Plumbing codes may require elongated toilets and elongated, open-front seats in public bathrooms.

Accessibility standards may require controls to be located on the open side of the toilet.